

Direct Drilling

BDA accredited

160 Invicta Road
Sheerness
Kent ME12 2AG

Tel / Fax : (01795) 664283
Tel : (01795) 666221
Mobile : (0831) 239668

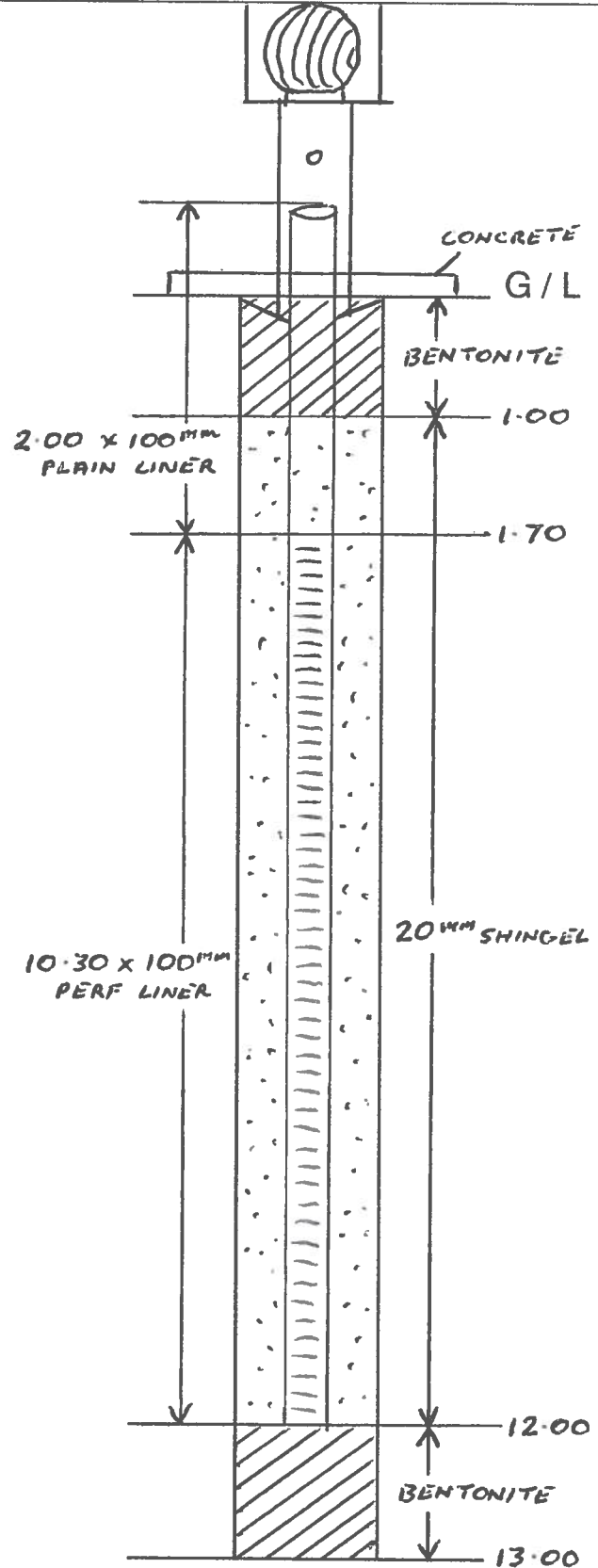
LANDFILL
SOAKAWAYS
SITE INVESTIGATION

Installation of B / H. V13

Site : COLE GREEN

Job No : _____

Date : 22-8-97



NOT TO SCALE